

07017

Lundy

6RPTW

HYDRAULICS FINISH MATERIALS LIST

PROJECT NO.

BEGINNING DATE

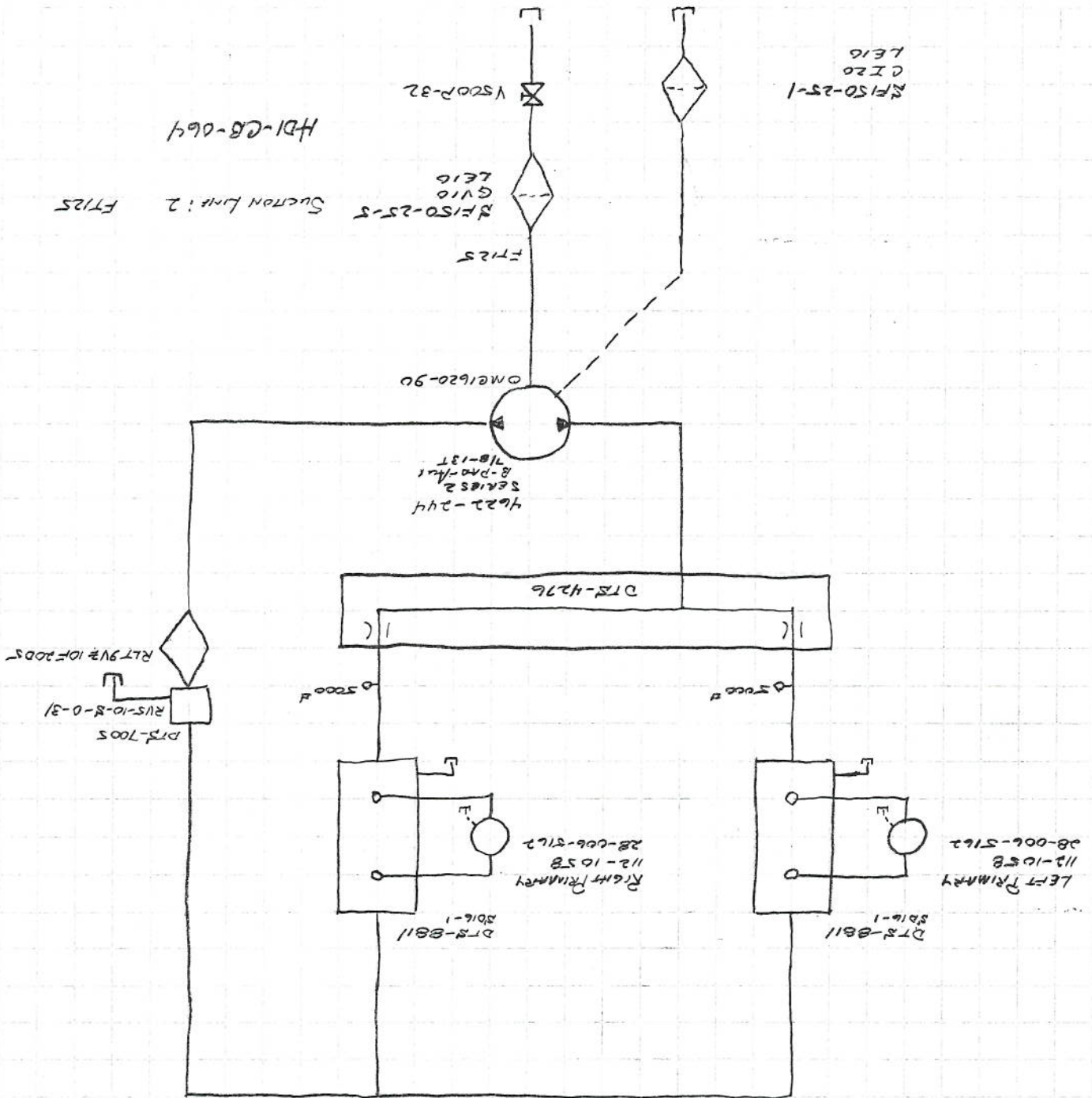
SERVICE KIT

END DATE

QTY	PART NUMBER	DESCRIPTION
1	2015-003	HP 2610
3	2015-014	LE10
1	2015-010	9V210
2	48000-004	CHAIN TOOL
1	30003-004	RIVET CUTTER
1	H90K	O-RING KIT
1	H70K	O-RING KIT
1		600# GAUGE
1		500# GAUGE
2	871 FS 12x04	TEST TEE
2	20039-011	DGA 20-YA RPT
2	20040-011	TCM 20-3/8 UNF N
2		602 S7 SNAPPER
2	830 FS 06	
2	830 FS 08	
2	830 FS 10	
2	830 FS 12	
2	830 FS 16	
2	839 FS 06	
2	839 FS 08	
2	839 FS 10	
2	839 FS 12	
2	839 FS 16	
2	721 FS 04 A	
2	721 FS 06	
2	721 FS 08	
2	721 FS 10	
2	721 FS 12	
2	721 FS 16	

3/30/07
 #07017
 LINDY
 BRPTM

PULL TYPE WINDPUMP



RFSO-25-1
 G120
 LE10

Suction Line: 2 FT25

HDI-CB-064

VSCOP-32

RFSO-25-5
 G10
 LE10

OMG1620-90

4622-244
 SERIES 2
 R-PAD-HAL
 1/8-13T

DTS-4276

DTS-7005
 RVS-10-S-0-31
 RT9VZ10F20DS

5000 F

5000 F

RIGHT PRIMARY
 112-1058
 28-006-512

DTS-811
 5016-1

LEFT PRIMARY
 112-1058
 28-006-512

DTS-811
 5016-1

HYDRAULICS FINISH MATERIALS LIST

BEGINNING DATE _____
 PROJECT NO. _____
 END DATE _____

QTY	PART NUMBER	DESCRIPTION
41	2035-01009	3/8" STEEL W/ 5" FLANGE
75	2035-00007	4" SUPERIOR
24	2035-00008	5" SUPERIOR
99	2035-07002	STANDOFF
35	2035-01001	3/8" KEY W/ 5" FLANGE
15	2035-01000	3/8" KEY W/OUT FLANGE
9	2035-01008	3/8" STEEL W/OUT FLANGE
1	2035-01004	3 1/2" RUBBER W/ 8" FLANGE
24	2035-05004	R37 ABDI SHAKER ROLLER
12	2035-04001	TAPERED NOSE CONE
24	2035-03001	R11A1
Ø	2035-03000	R11A1
12	2035-H5DM12REHX	REIMAY
9	2035-H5DM12REHX	SECONDARY
Ø	2035-H45MIDRBSX	CROSS
6	30025-013	CENTER BLADE 14" EXTENDED
6	30051-013	CENTER POINT DIAPER BLADE EXTENDED
4	DSR 2460	COUNTER BLADE
4	31011-007	COUNTER CAP PROTECTOR
24	1/2-13x2 1/2 FUSNCS	Alloy
18	1/2-13x2" FUSNCS	Alloy
109	1/2-13 SPINDLE NUT	
2	1/2-13x2 1/2 HACS	
12	1/2-13x3" HACS	
12	1/2-13x3 1/2 HACS	
3	1/2-13x4 HACS	
2	1/2-13x4 1/2 HACS	
2	1/2-13x7 1/2 HACS	
16	1/2-13x1 1/4 HACS	
8	1/2-13x1 1/2 HACS	

HYDRAULICS FINISH MATERIALS LIST

BEGINNING DATE _____ PROJECT NO. _____
 END DATE _____

QTY	PART NUMBER	DESCRIPTION
2	5/8-11x11" HCS	
28	5/8-11x6" HCS	
18	5/8-11x5 1/2" HCS	
6	5/8-11x5" HCS	
4	5/8-11x4" HCS	
80	5/8-11x3 1/2" HCS	
2	5/8-11x3 1/2 FISHCS alloy	
137	5/8-11 SPINDLE nut	
18	3/8 FLAT WASHER	
1qt	15W110 oil	
4qt	80W90 oil	
3	2035-07001	1" STANDOFF
4	2035-06002	5 1/4" STEEL CARRIER
2	2035-06001	5 1/4" STEEL CARRIER
1	2002-17	SERIAL # PLATE
6	2002-06	SMALL LENS
1	2002-05	LARGE LENS
2	2002-04	A.F.E LOGO
6	2002-07	MOVING PART
2	2002-16	DRIVER
4	2002-10	RETAINING PART HOZARD
2	2002-08	HEAT PRESS. FLUID
1	2002-15	RETAINING DRIVELINE
1	2002-01	SLOW MOVING SIGN
1	140 15548	P.T.O. SHAFT
2	200-5500	U-JOINT
1	101-5520	YORK
1	102-5521	YORK

HJV Manufacturing Order Form

Customer Name: LUNDY FARMS
Address: ALLISTON ONT.
Phone Number: 705 435 9446
Fax Number:

Full Type Windrower
Standard
Option

Rear Tires:

17.5 x 24

16.5 x 16.1

28L X 26 BAR TREAD TIRES

Row Spacing:

34" w/30" Bed

34" w/32" Bed

36" w/33" Bed

36" w/34" Bed

36" w/35" Bed

38" w/36" Bed

Rows:

3

4

6

8

Primary Bed:

Full Width-Common Lift

X

Split w/ Center Coupler

Full Width, side to side w/cylinder lift

Primary Bed:

Single Width

X

Flex LockWood Style

Double Width

Digger blades

12" regular

15" extended

X

Center blades

12" regular

15" extended

X

Full Width Solid Blade

Primary Drives:

Top Drive

REVERSE DRIVE

X

Chain & Sprocket

Gear Box 2000 Motor

Gear Box 6000 Motor

X

VIS Motors

For Office use Only:

Description: 6 ROW PT WINDROWER

Serial #: 07017

Build #:

HJV Manufacturing Order Form

Customer Name:LUNDY FARMS

Address:ALLISTON ONT

Phone Number: 705 435 9446

Fax Number: _____

Vibrator:											
Rotating Primary											
Rotating Secondary											
Rocking Shaker											
SPLIT IN THE MIDDLE RIGHT AND LEFT HAND DRIVE											
Rear Steering:											
Rear Leveling											
48 Hydro pump Primary secondary											
Hitch Center Pull											
Hitch Side Pull											
Deliver row 1 & 2											
Deliver row 2 & 3											
Chain:		Location		Qty		Rod Size		Width		MM	
PRIMARY		2DN1ST PLAIN		50		0.50		33		50	
SECONDARY		ALL ST		50		0.44					
DEVINER		ALL ST		150		0.63					
CROSS		ALL ST		45		0.44					

H.J.V. Representative: *Eric Demuth* Date: *Jan 9/07*

Customer Approval/Acceptance:

Date: *Jan 09/07*

[Signature]

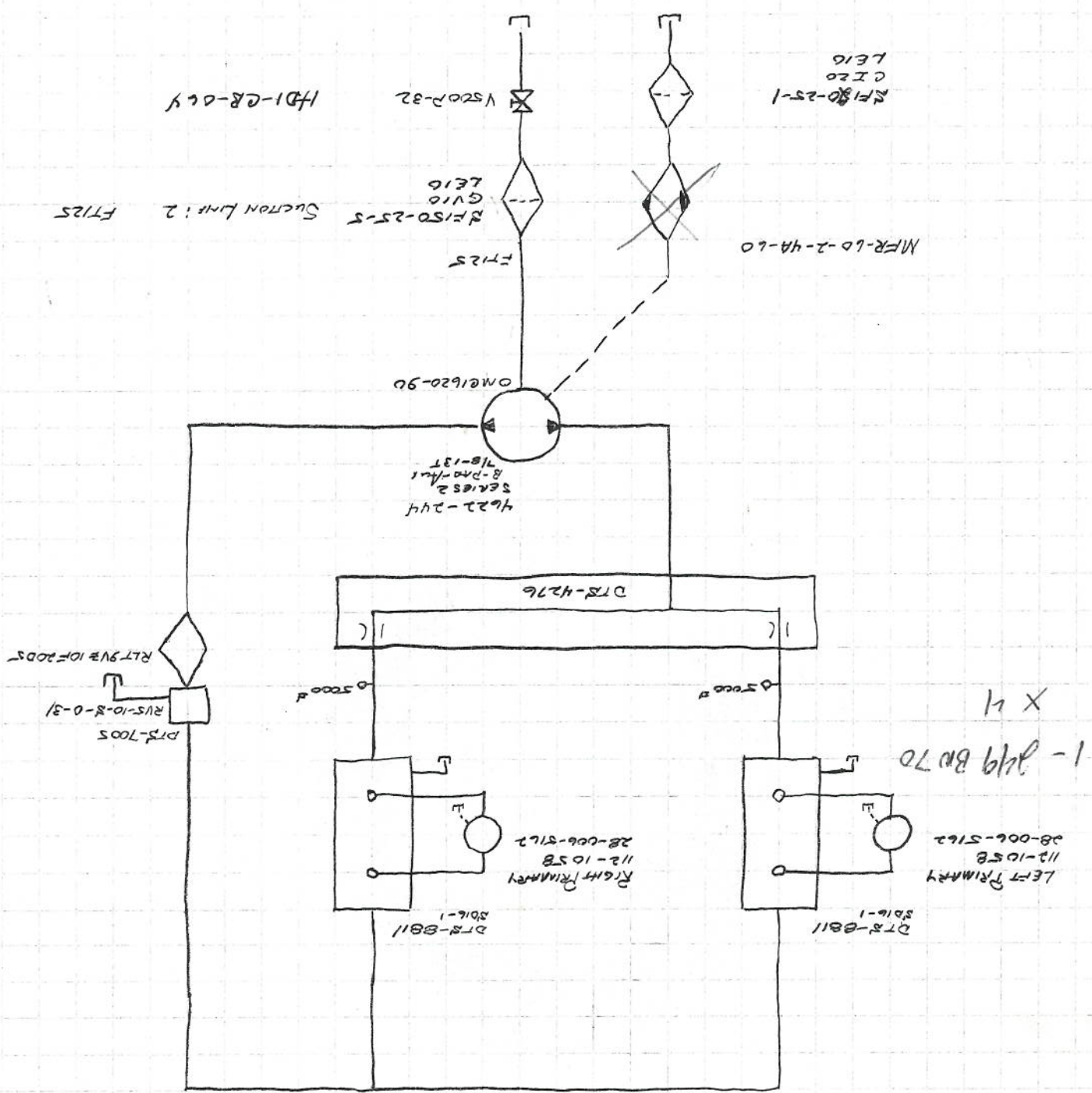
Additional Comments:

MAKE SURE THE SECONDARY CHAIN FITS THE BED

ROCK GUARDS ON DIGGER BLADE BRACKETS

PRIMARY AND DEVINER CHAIN MUST BE THE SAME AS NOFFSINGER HARDEN CHAIN

[Signature] Date: *Jan 18/07*



MF180-25-1
G120
LE10

HD1-QR-06Y

Suction Line: 2
FT125

MFR-10-2-4A-60

OM61620-90

4622-244
SERIES 2
8-PHASE
78-137

DTS-4276

DTS-7005
RVS-10-8-0-3
RLT 9V2 10F 20DS

1 - 249 BU 70
X 4

LEFT PRIMARY
112-1058
28-006-512

DTS-811
3016-1

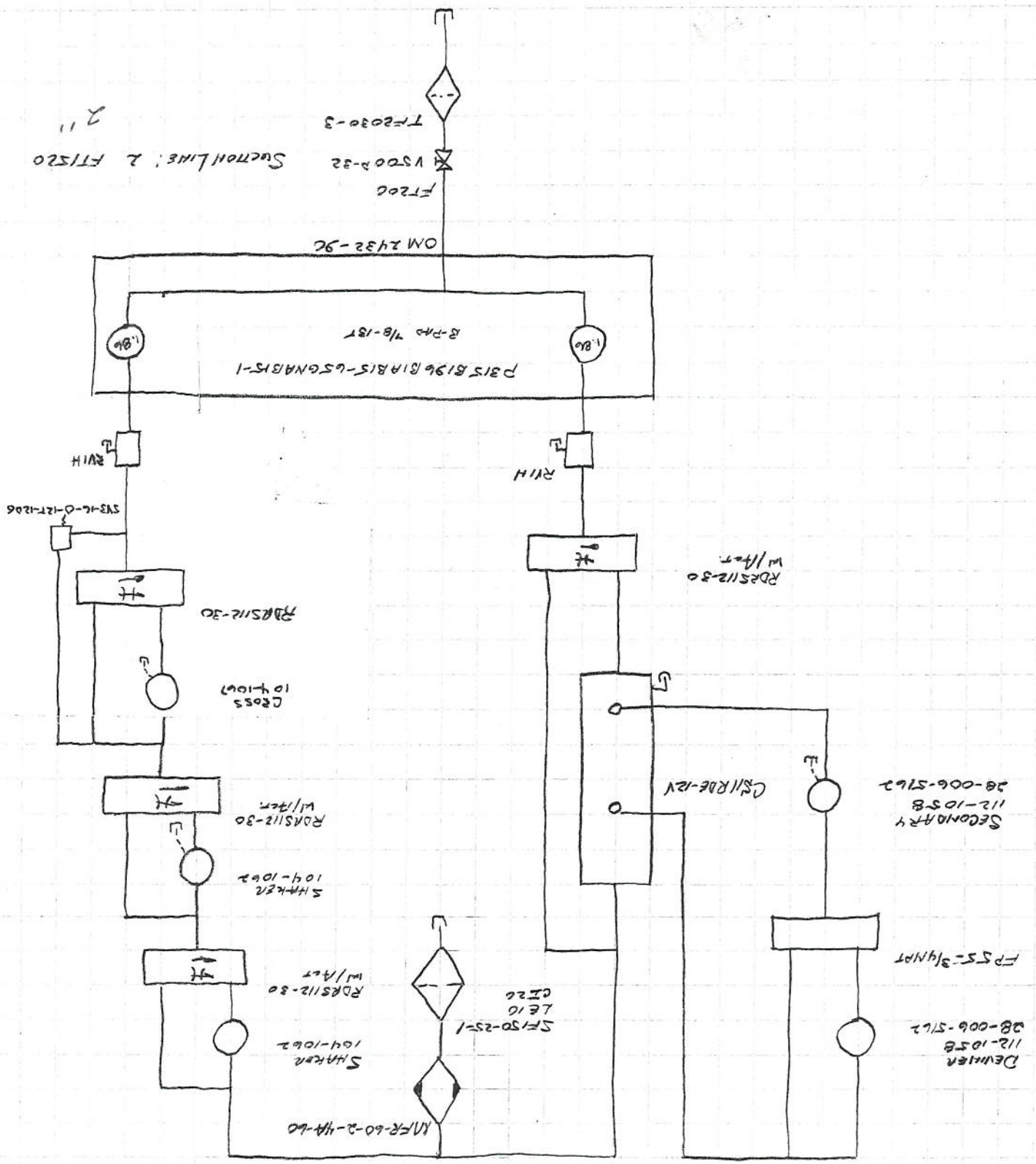
RIGHT PRIMARY
112-1058
28-006-512

DTS-811
3016-1

PULL TYPE WINDPOWER

3/27/07
027505
DETAIL
807017
LUMPY
BRPTM

8/22/07
 #07017
 LUNDY
 6 PNTV
 Full Type KINDROUPE



Suction Line 2 FT1520
 T200-3

SECONDARY
 112-1058
 28-006-5162

FP55-34NPT
 112-1058
 28-006-5162

SP150-25-1
 LE10
 C126

SHAKEN
 104-1062
 RDS112-30
 w/1/4" T

SHAKEN
 104-1062
 RDS112-30
 w/1/4" T

Gross
 104-1062

RDS112-30

RDS112-30
 w/1/4" T

R11H

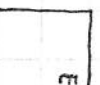
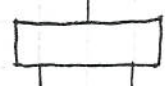
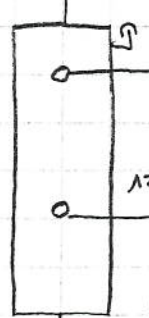
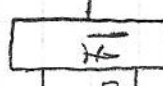
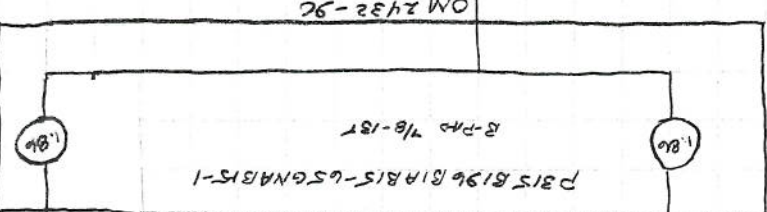
R11H

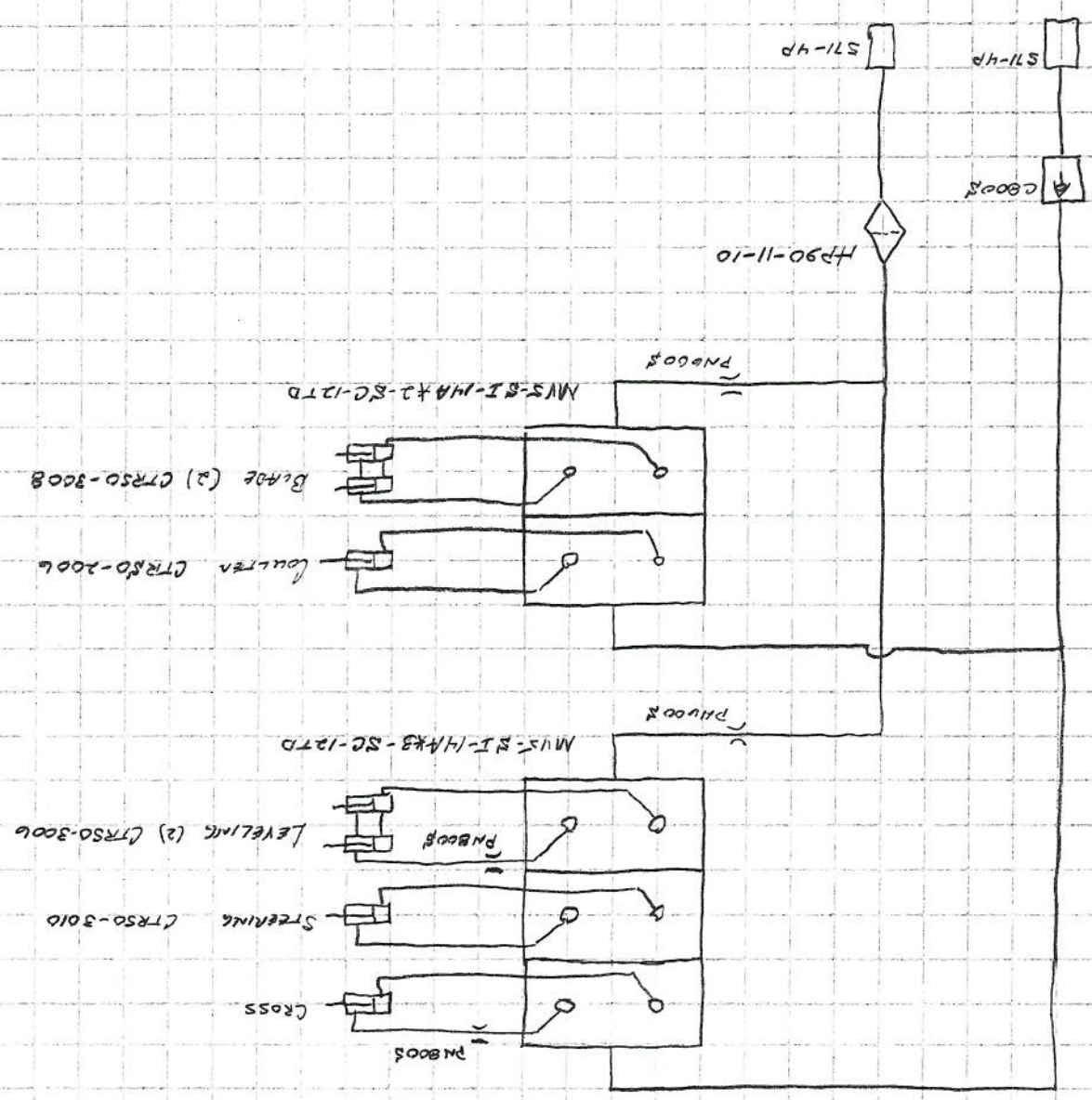
SYS-16-0-12-1206

OM 2432-9C

B-PH 1/8-15T

P315 B196 B1A15-65GNAB15-1





Part Type K110801010

5/27/01
 407017
 LINDY
 WPTM