

MasterQuart

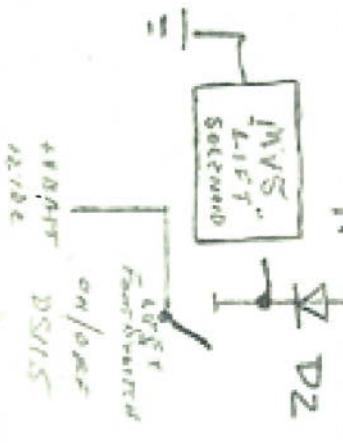
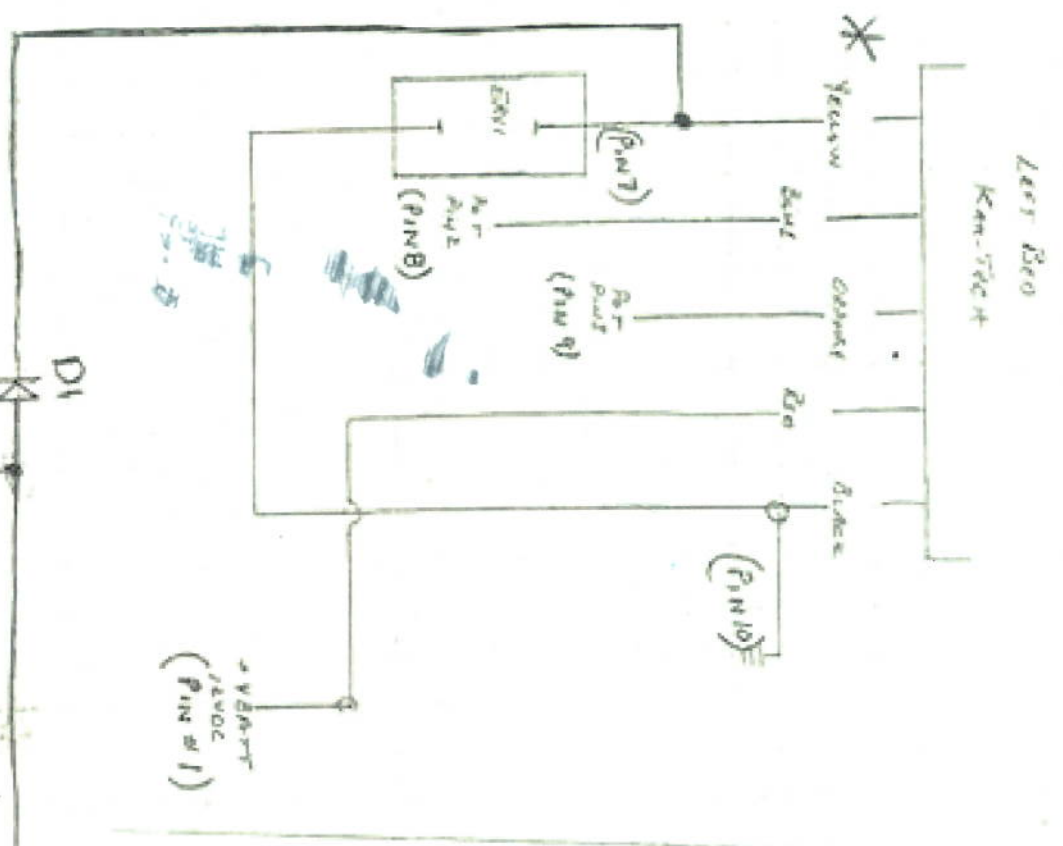
#10041

8RS9W

SV3-10-C

*

Condition	MVS UP	ERV 1
Joystick UP Press	12V	12V / Full Pre.
Joystick UP NOT Press	X	Reduced V/P
Foot switch UP Press	12V	Reduced V/P
Foot switch UP NOT Press	X	Reduced V/P

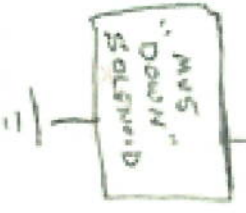


Note: diode position and blocking action D1, D2

* Yellow normally proportionally reduces pressure (reduces voltage to ERV1)



Joystick "UP" Switch Yellow 116 Brown 117



4-100V
Pink Orange
Black
Blue
Green

MVS
"Down"
SOLENOID

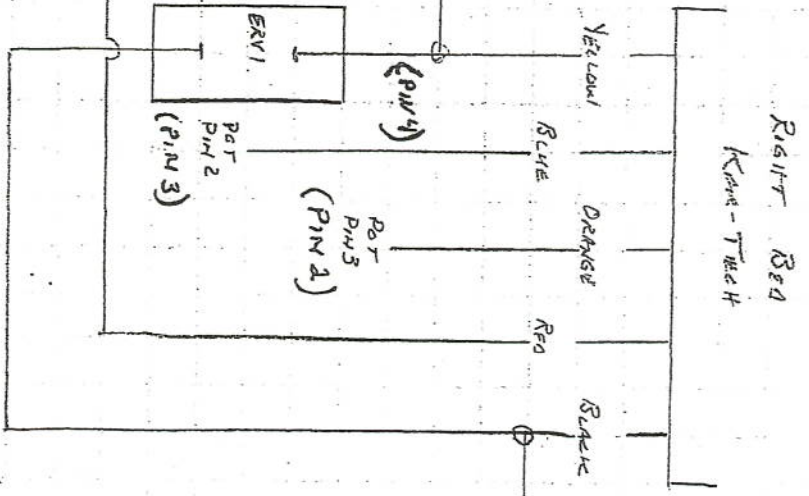
"Down" Joystick
Switch
BLACK
119

"up"
RED
118

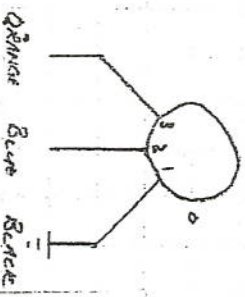
MVS
"LIFT"
SOLENOID

+VBATT
12VDC
ON/OFF
DS115
RIGHT
FOOT SWITCH

+VBATT
12VDC
(PIN #1)

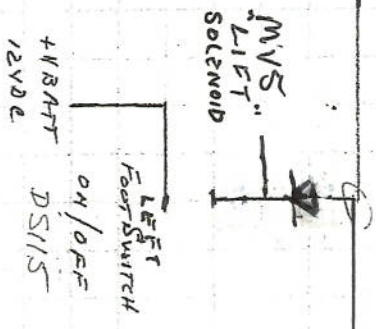
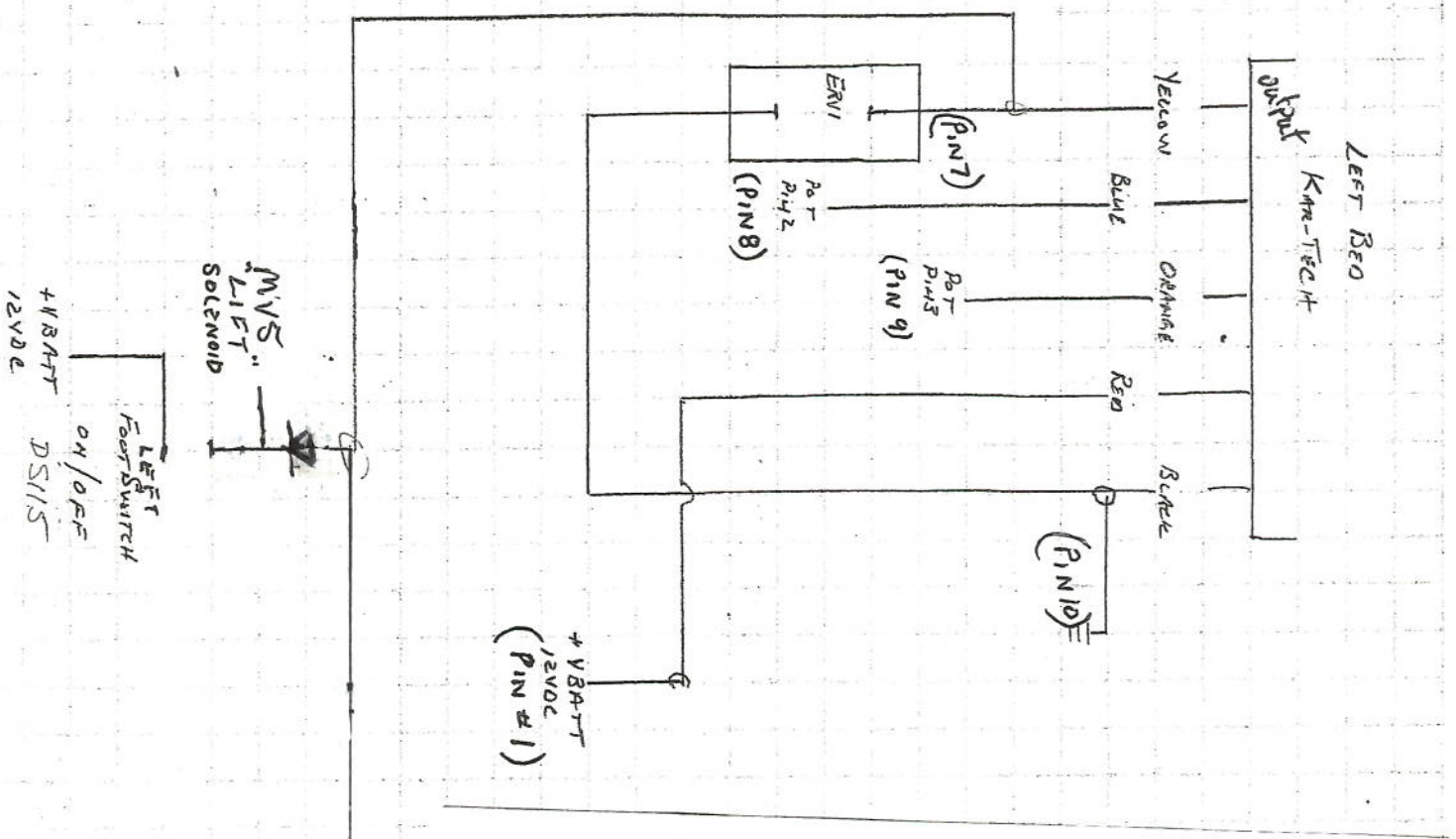


(12 PIN DEUTSCH)
2001-0125

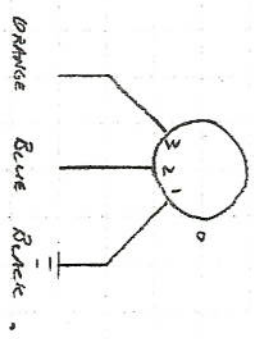


#10011
MTC OUKLT
BRSPW
B20LIFT

10pin D Subc + 12v supply



#5 JOYSTICK
 "UP" SWITCH YELLOW 116
 "DOWN" SWITCH BROWN 117

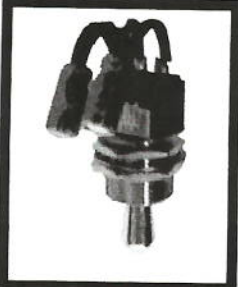


MVS "DOWN" SOLENOID

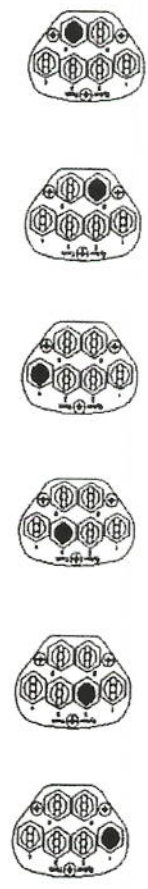
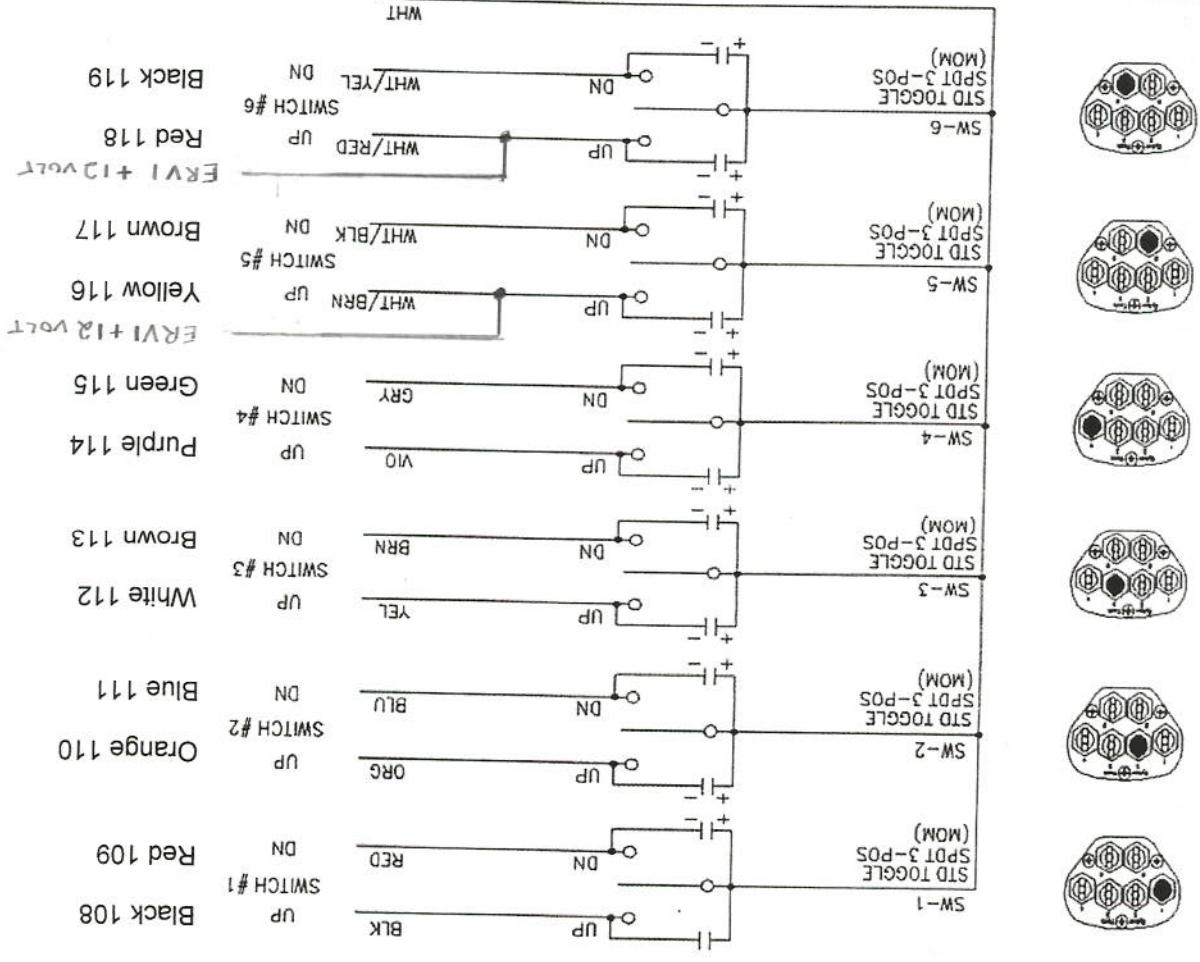
#100V1
 MAKE CURRENT
 8RS PW
 B20 LIFT

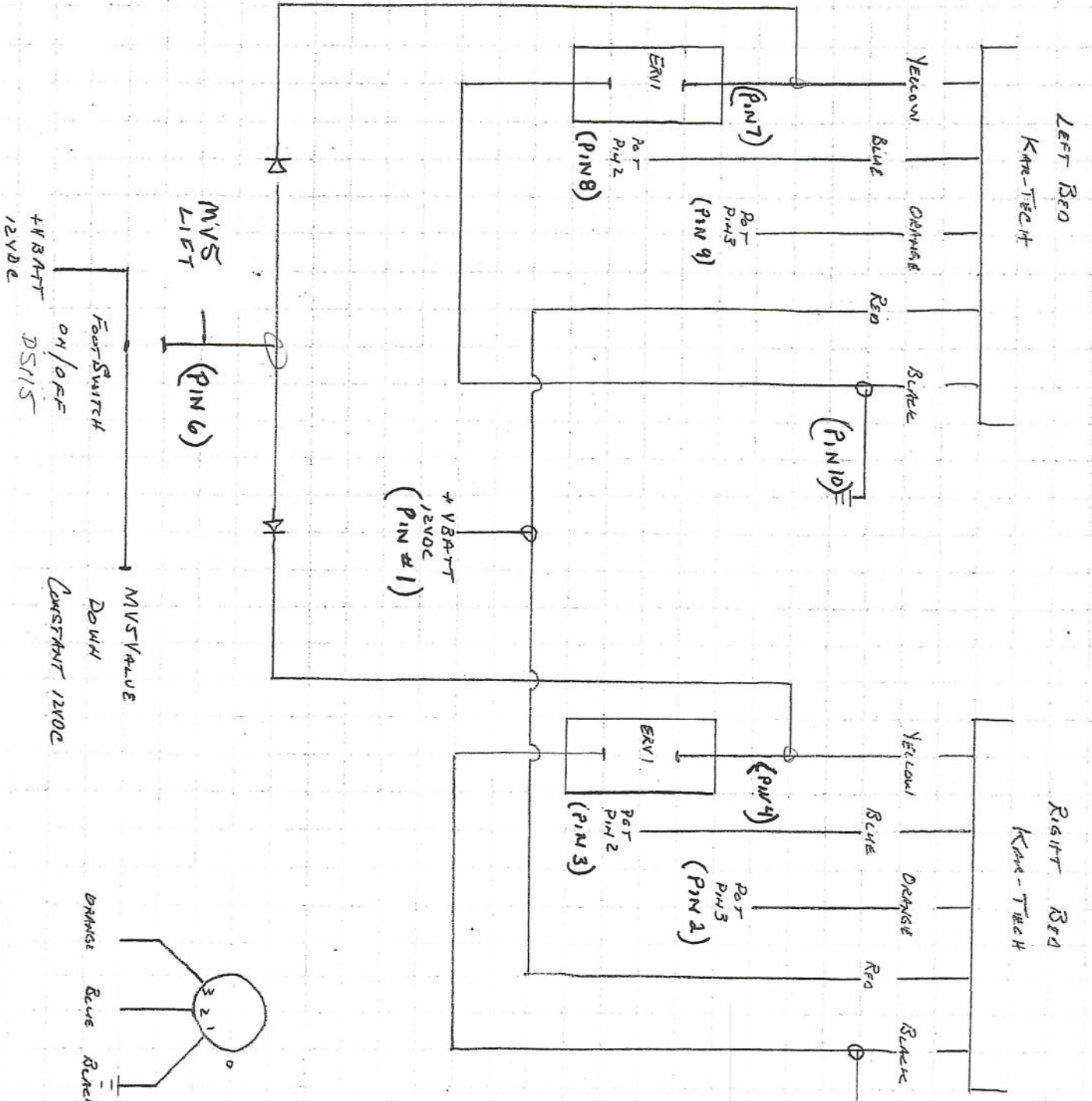
Replace switch boots for longer switch life. Part # 2001-0315

- SW-1. Cross Inner Fold
- SW-2. Cross Outer Fold
- SW-3. Cross Discharge
- SW-4. Coultter Blades
- SW-5. Left Digger Blades
- SW-6. Right Digger Blades

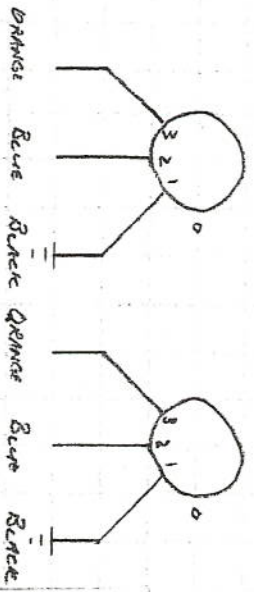


2001-0314
Replacement Switch
for Joystick

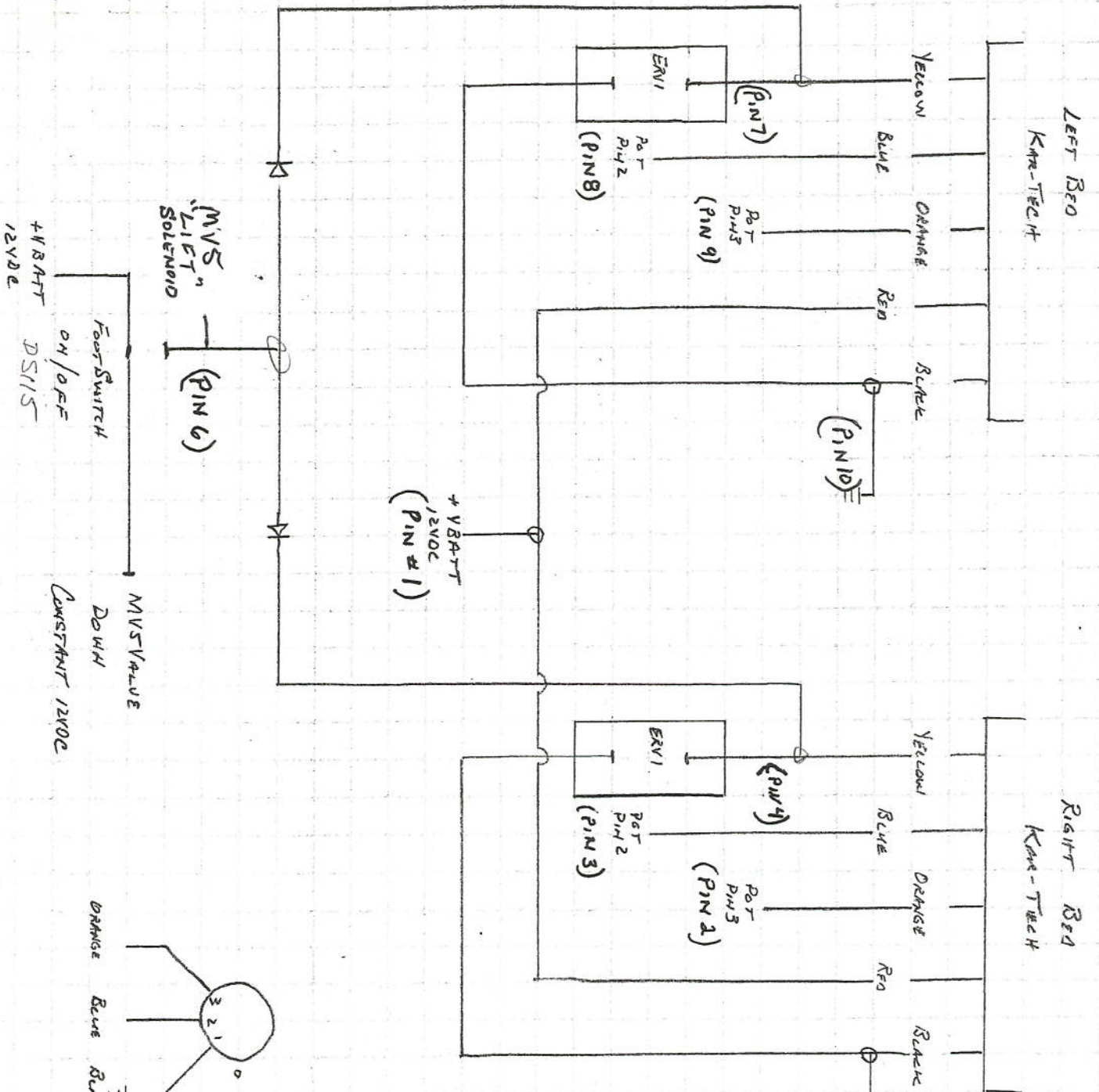




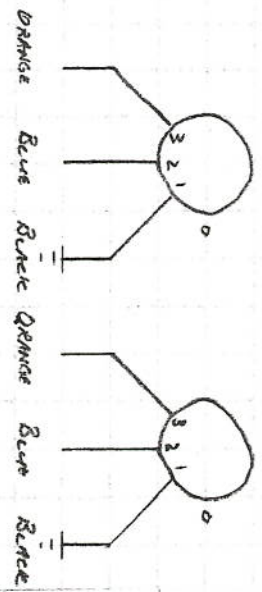
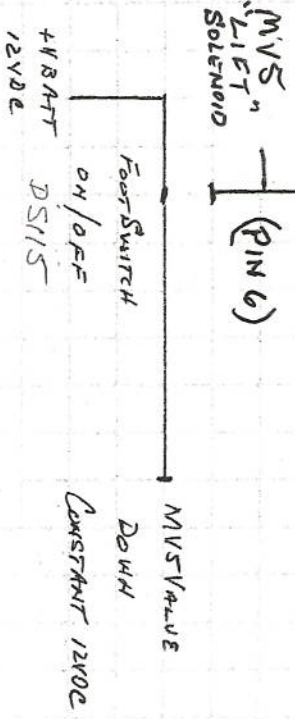
(12 PIN DEUTSCH)
2001-0125



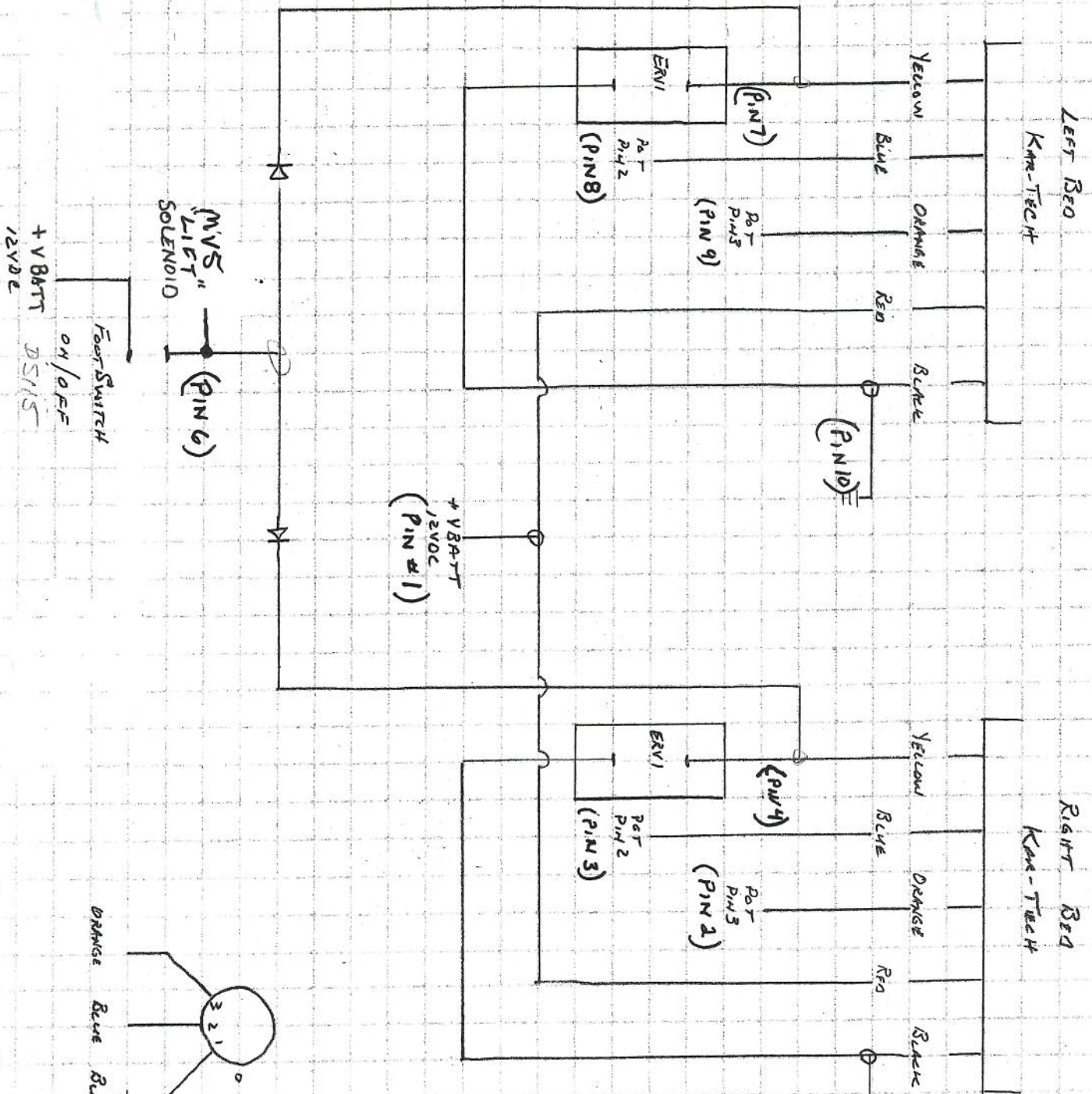
7/2/11
#100V1
MTR OUT
BRSPW
B20LIFT



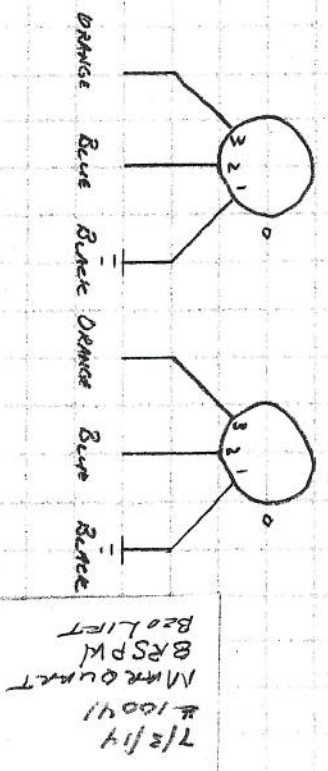
(12 PIN DEUTSCH)
2001-0125



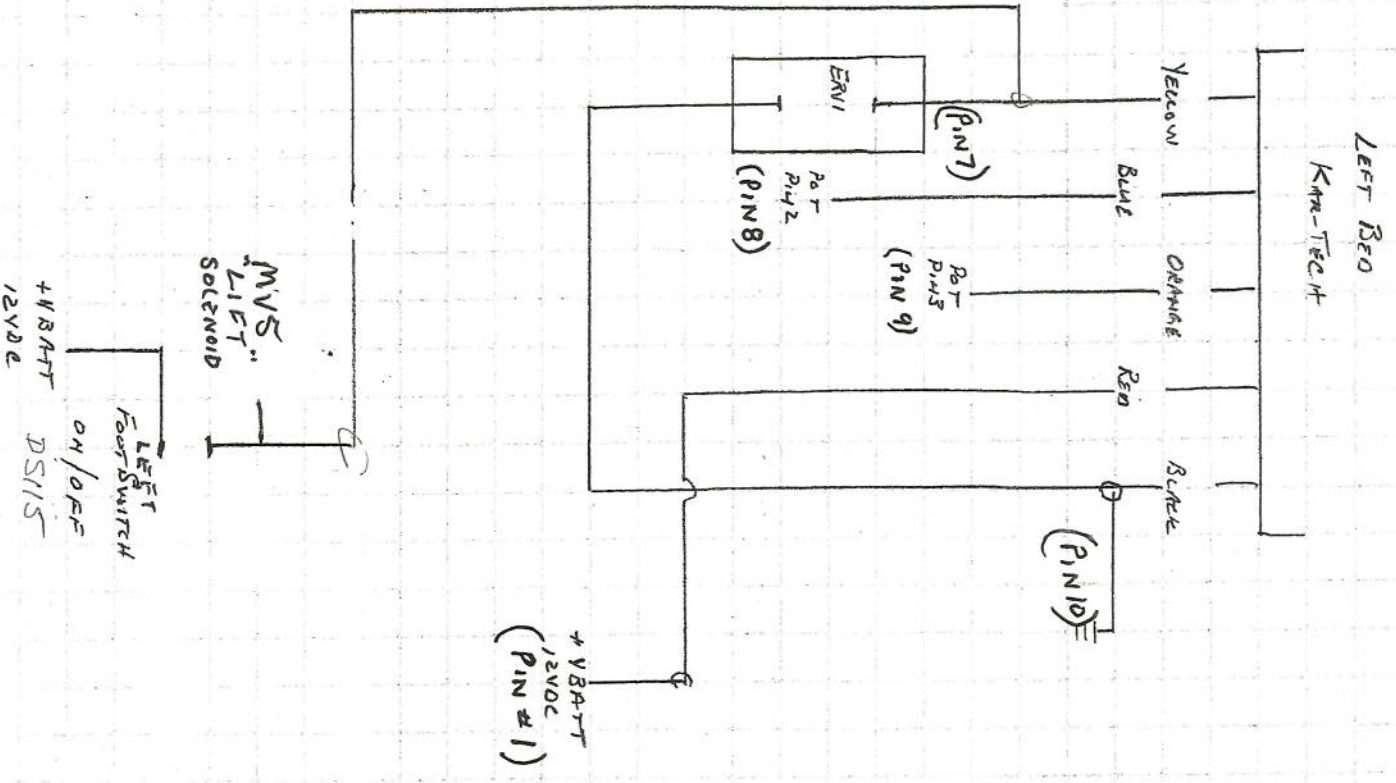
7/2/11
#10041
MTR CURRT
BRSPW
B20LIFT



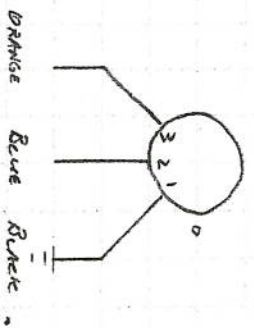
(12 PIN DEUTSCH)
2001-0125



7/2/14
#10041
MARCOURT
BRSPW
B20LIFT



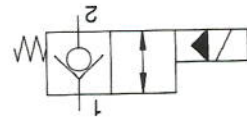
#100V1
MTR CURRY
BRSPK1
BED LIFT



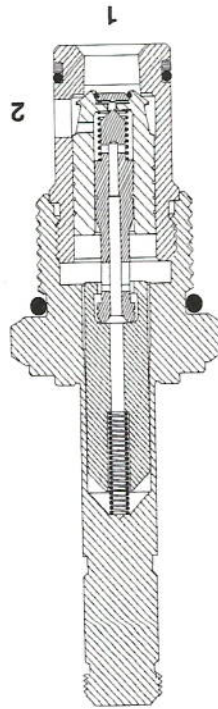
SV3-10-C/CM/CR

2-way, poppet type, normally closed solenoid valve

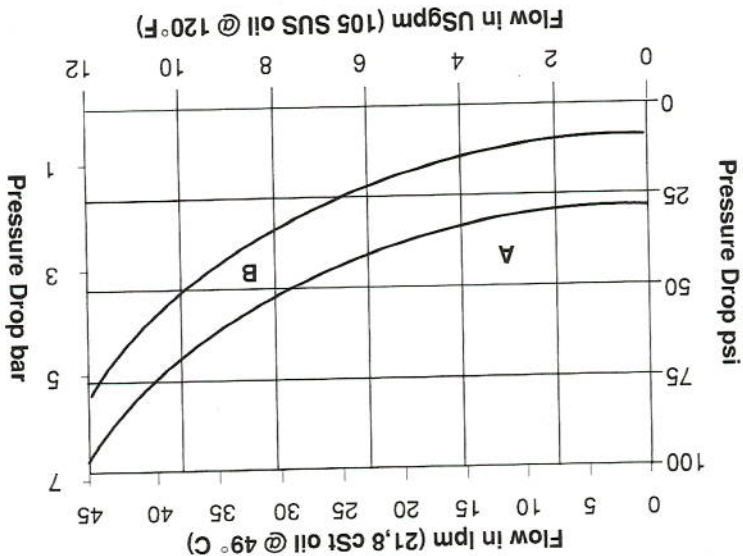
Functional symbol



Sectional view



Pressure Drop Curves
Cartridge only



A-Port 1 to port 2 de-energized
B-Port 2 to port 1 energized

Description

The SV3-10-C is a 2-way, 2-position, poppet-type, normally closed screw-in cartridge solenoid valve.

Operation

In the de-energized position, flow is blocked from port 2 to port 1 and free flow is allowed from port 1 to port 2. In the energized position, the poppet lifts to allow flow in either direction.

Ratings and specifications

- Performance data is typical with fluid at 21.8 cst (105 SUS) and 49°C (120°F)
 - Typical application pressure port 1 to port 2 210 bar (3000 psi)
 - Cartridge fatigue pressure (infinite life) 210 bar (3000 psi)
 - Rated flow 45 l/min (12 USgpm)
 - Internal leakage (port 2 to 1) less than 5 drops / min. max. @ 210 bar (3000 psi)
 - Temperature range -40 to 120°C (-40° to 248°F)
 - Coil duty Continuous from 85% to 110% of nominal voltage
 - Cavity C-10-2 (See page 74)
 - Fluids All general purpose hydraulic fluids such as: MIL-H-5606, SAE 10, SAE 20, etc.
 - Filtration Cleanliness code 18/16/13
 - Standard housing material Aluminum
 - Weight including coil 0.4 kg (0.87 lb.)
 - Seal kit 565803 Buna-N
566086 Viton®
- Viton is a registered trademark of E.I. DuPont Co.

