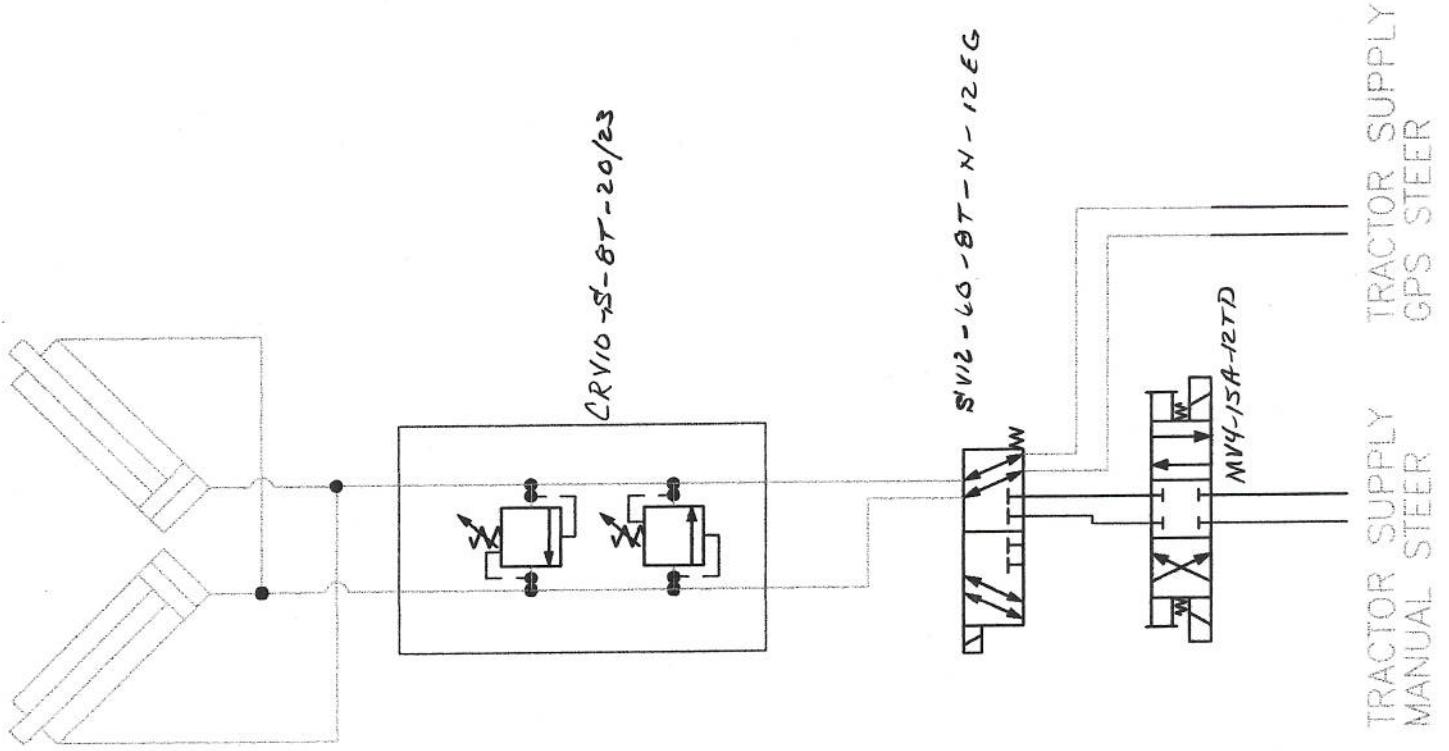


13061

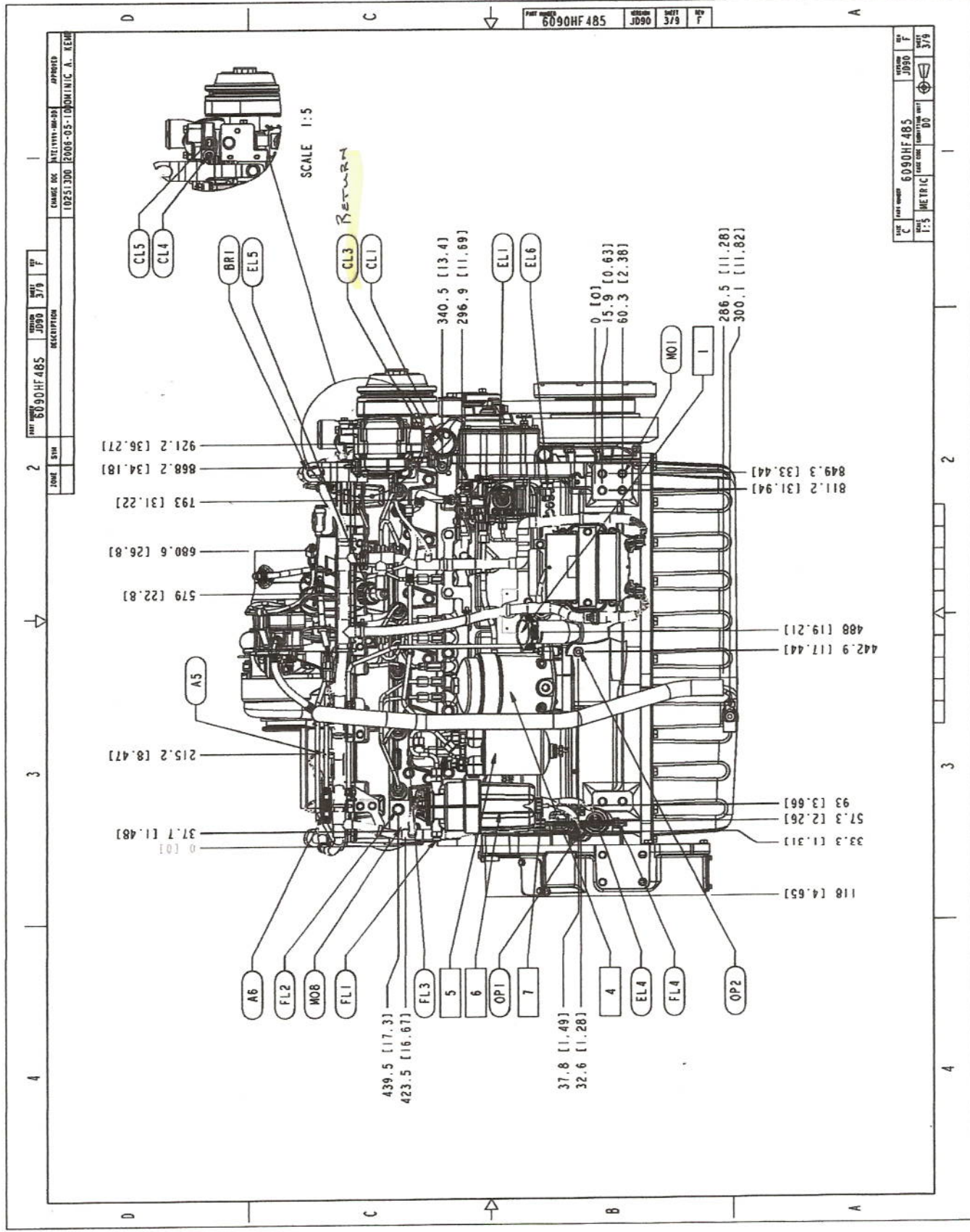
Leonard AC

4RPTH $\frac{1}{65}$ " AH



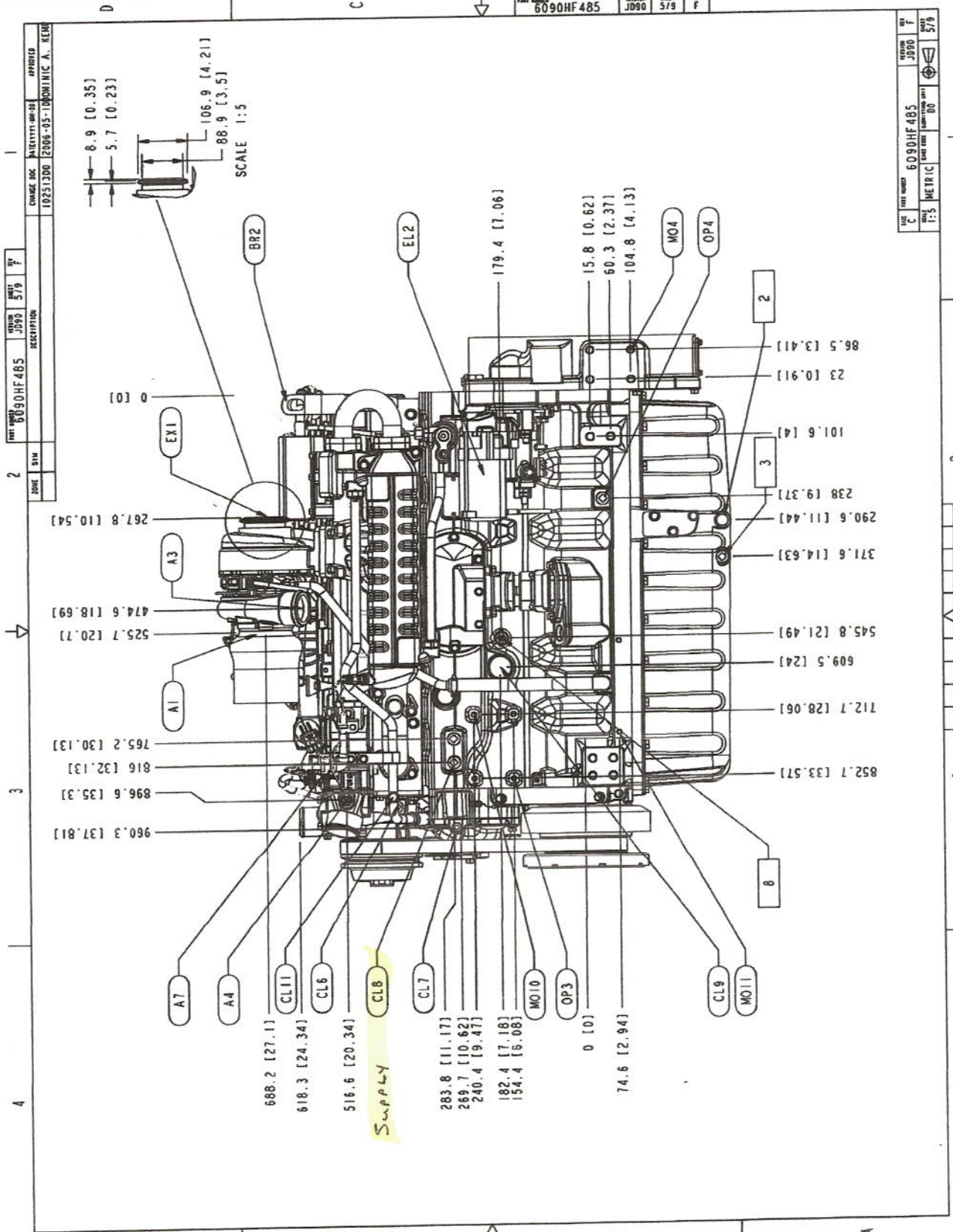
PowerTech Plus 9.0 L ENGINE

6090HF485



PowerTech Plus 9.0 L ENGINE

6090HF485



| | | | |
|------------|------------|------------------|-----|
| DATE | BY | APP'D | REV |
| 2006-05-10 | 5/19 | 5/19 | F |
| CHANGE NO. | DATE | BY | REV |
| 10251300 | 2006-05-10 | DAVID H. A. REHR | F |

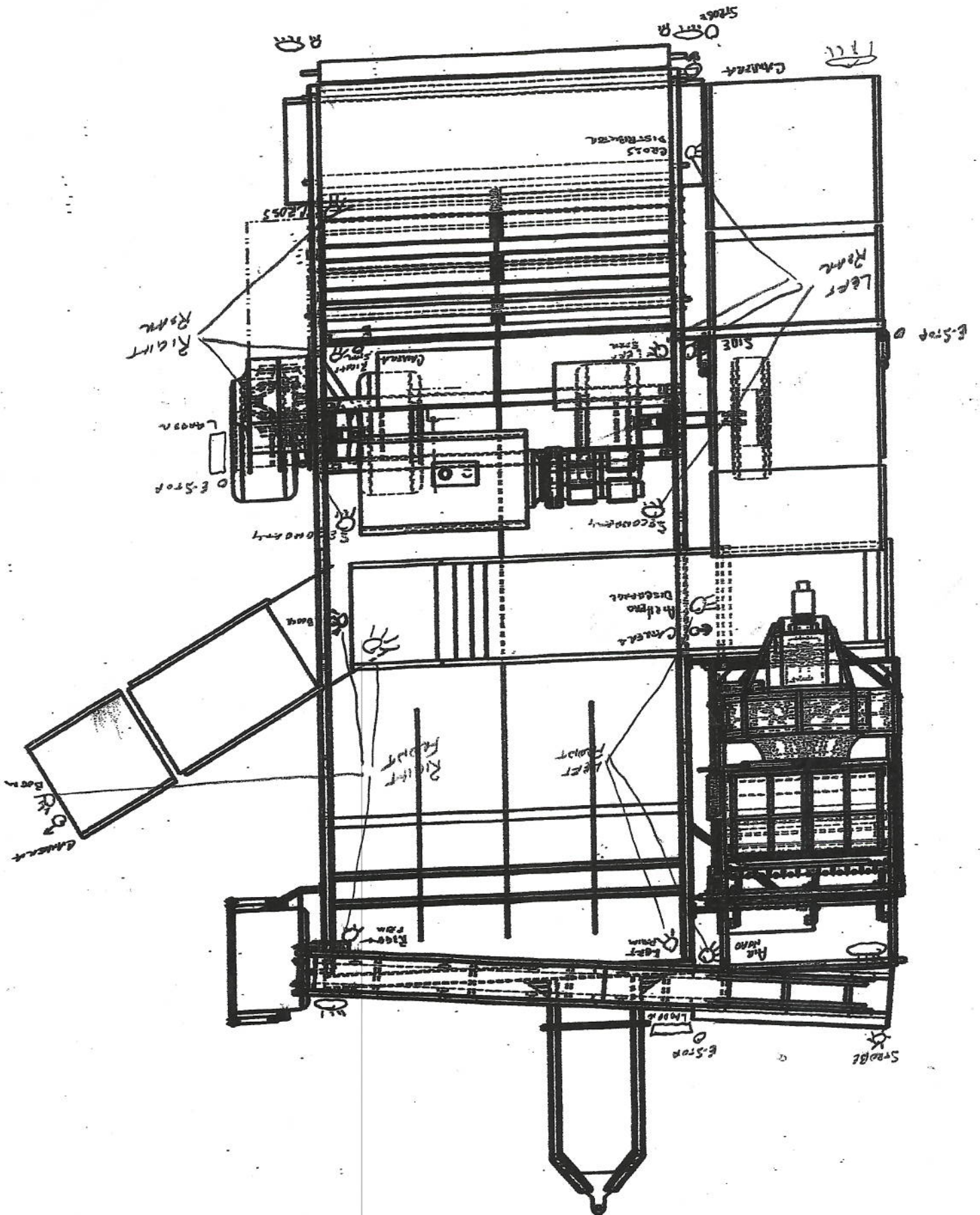
| | | | |
|------------|------------|------------------|-----|
| DATE | BY | APP'D | REV |
| 2006-05-10 | 5/19 | 5/19 | F |
| CHANGE NO. | DATE | BY | REV |
| 10251300 | 2006-05-10 | DAVID H. A. REHR | F |

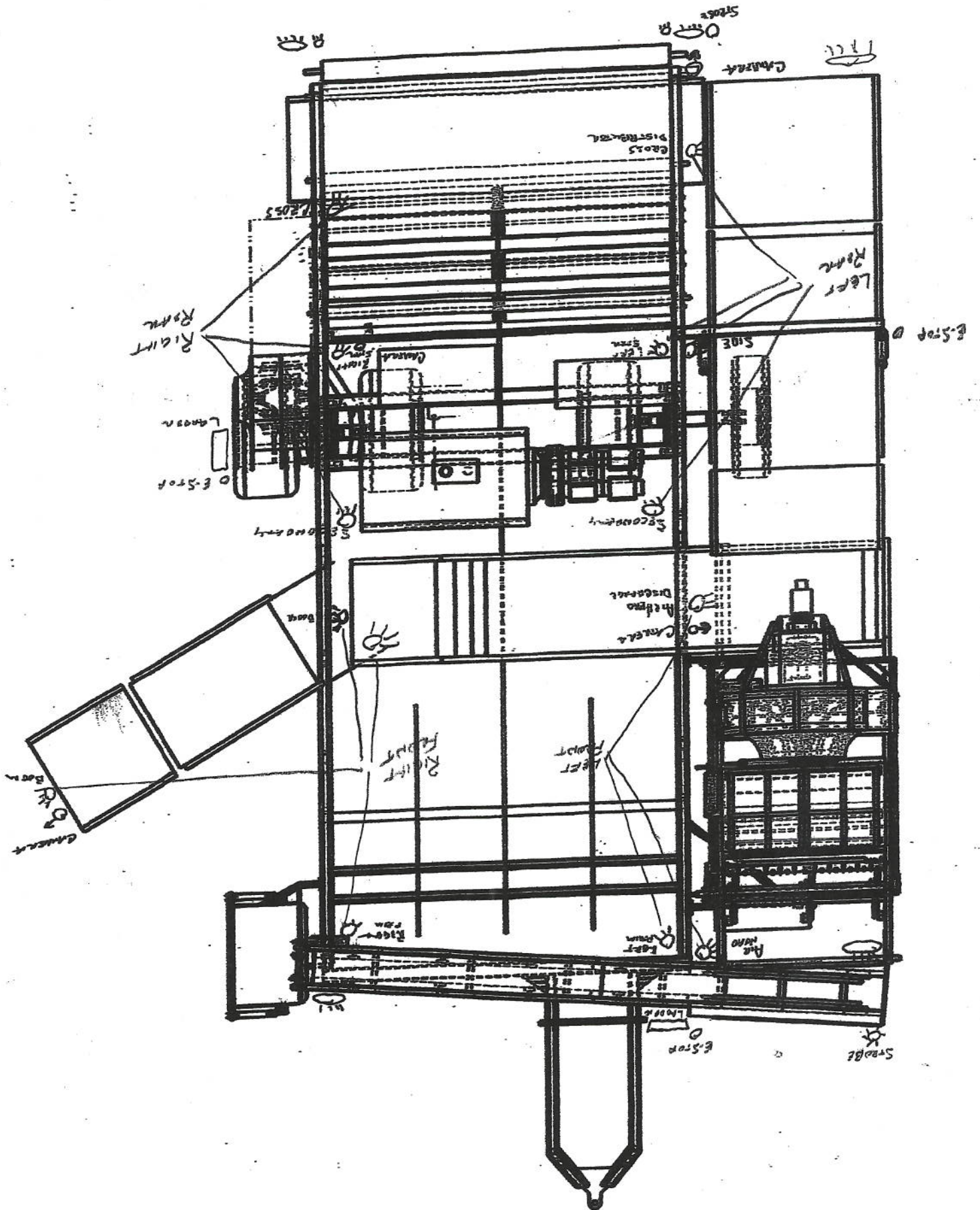
6090HF485
 SCALE: 1:5
 METRIC
 PART NO. 6090HF485
 REV. F
 DATE 05/19/06
 DRAWN BY 5/19

May 2006

6090HF485-5

Engine Installation Drawings





| Qty | AFE # | Description |
|------------|--------------|---------------------------------|
| 3.00 | 2015-040 | Vacuum Gauge for Filter Heads |
| 3.00 | 2015-067 | Stauff In Tank Filter Assembly |
| 9.00 | 2017-00060 | 3/8" Needle Valve |
| 7.00 | 2017-00080 | 1/2" Needle Valve |
| 2.00 | 2017-00081 | 1/2" Needle Valve w/Check |
| 2.00 | 2017-01000 | 1/2" Check Valve |
| 1.00 | 2017-01001 | 3/4" Check Valve |
| 1.00 | 2017-030061 | HIGH PRESSURE 3/8" Ball Valve |
| 3.00 | 2017-030081 | HIGH PRESSURE 1/2" Ball Valve |
| 2.00 | 2017-03024 | 1 1/2" Full Port Ball Valve |
| 6.00 | 2017-03032 | 2" Full Port Ball Valve |
| 1.00 | 2017-03040 | 2 1/2" Full Port Ball Valve |
| 1.00 | 2017-04000 | Air Head Cleaner Valve |
| 1.00 | 2017-04001 | Timer Valve Subplate |
| 1.00 | 2017-05013 | Bin Leveling Pulsar Valve |
| 2.00 | 2017-05300 | Airhead Leveling Valve |
| 1.00 | 2017-05400 | Cylinder Valve (Rear Steering) |
| 1.00 | 2017-05500 | Single Valve Bank Section w/co |
| 10.00 | 2017-05501 | FPS Valve Section W/Check |
| 4.00 | 2017-05502 | MV5 Valve Bank Outlet Side |
| 4.00 | 2017-05503 | MV5 Valve Bank Inlet Section |
| 1.00 | 2017-05505 | Bolt Kit for 1 Bank MV5 |
| 1.00 | 2017-05506 | Bolt Kit for 2 Bank MV5 |
| 1.00 | 2017-05507 | Bolt Kit for 3 Bank MV5 |
| 1.00 | 2017-05509 | Bolt Kit for 5 bank MV5 |
| 1.00 | 2017-06000 | Proportional Flow Divider |
| 1.00 | 2017-06004 | Flow Divider w/5/8" Inlet 12gpm |
| 1.00 | 2017-06007 | Casappa Flow Divider |
| 1.00 | 2017-07000 | Rear Steering Relief Valve |
| 3.00 | 2017-07101 | High Pressure Relief Valve |
| 3.00 | 2017-07500 | 300psi Relief Valve Cartridge |
| 11.00 | 2017-08004 | 30 Gal Flow Control w/relief |
| 3.00 | 2017-08015 | FLOW CONTROL W/O RELIEF |
| 1.00 | 2017-10020 | Four Bank Circuit Control Valv |

| Qty | AFE # | Description |
|-------|-----------------|---------------------------------------|
| 2.00 | 2017-10026 | Custom Manifold DTS-4208B |
| 1.00 | 2017-10037 | #32 Flange Sandwich Manifold |
| 2.00 | 2017-10038 | Walvoil Reversing Valve |
| 3.00 | 2017-11108 | Shut off valve Valve |
| 1.00 | 2017-11121 | Rear Steering Valve SV12-60-BT-N-12EG |
| 1.00 | 2017-11304 | Shut Off Valve |
| 1.00 | 2017-11311 | Normally Closed Solenoid Valve |
| 1.00 | 2017-14000 | Breakaway Valve |
| 1.00 | 2018-12.5L15-10 | 12.5L15 10Ply Tire |
| 1.00 | 2018-15-10-808 | 15" x 10" Rim w/8 on 8" Center |
| 1.00 | 2020-1800 | AKG 180 Cooler Std Harv Cooler |
| 2.00 | 2021-05705 | 1/4"NPT to 5/16" Hose Barb |
| 1.00 | 2021-06158 | Oil Tank Sight Gauge |
| 1.00 | 2021-10000 | Liquid Filled Gauge 10,000# |
| 2.00 | 2021-10060 | Liquid Filled Gauge 60# |
| 5.00 | 2021-10600 | Liquid Filled Gauge 600# |
| 7.00 | 2021-13000 | Liquid Filled Gauge 3,000# |
| 5.00 | 2021-15000 | Liquid Filled Gauge 5,000# |
| 14.00 | 2021-16027 | Gauge Snubber |
| 1.00 | 2022-0296 | 1 Gallon Oil Air Accumulator |
| 1.00 | 2022-0297 | Accumulator Bracket |
| 1.00 | 2022-0487 | 3/4" NPT Chck Vlv W/ 30PSI Sprg |
| 1.00 | 2023-0197 | Torsion Drive Plate N14 SAE#1 |
| 1.00 | 2023-0250 | 4 Hole Gear Box |
| 3.00 | 2024-0018 | Radiator Screen |
| 1.00 | 2024-0020 | AC Hose Kit (Inc All Hoses) |
| 1.00 | 2024-0186 | 3/4" Fuel Supply Check Valve |
| 1.00 | 2024-0398 | Belt |
| 1.00 | 2024-0399 | Leece Neville 200A 12V Altrntr |
| 1.00 | 2024-0400 | Washer |
| 1.00 | 2024-0401 | Pulley |
| 1.00 | 2024-0402 | Wiring Harness |
| 1.00 | 2024-0403 | Strap |
| 1.00 | 2024-0404 | Support |

| Qty | AFE # | Description |
|------|--------------|--------------------------------|
| 1.00 | 2024-0405 | Tensioner |
| 1.00 | 2024-0406 | Support |
| 1.00 | 2024-0407 | A/C Compressor |
| 1.00 | 2024-0408 | Bracket |
| 1.00 | 2024-0409 | Dust Shield |
| 1.00 | 2024-0410 | Bolt |
| 1.00 | 2024-0411 | Pulley |
| 1.00 | 2024-0412 | Spacer |
| 1.00 | 2024-0413 | Support |
| 1.00 | 2024-0414 | Bracket |
| 1.00 | 2024-0415 | Washer |
| 1.00 | 2024-0418 | Belt |
| 1.00 | 2024-0419 | 4" x 14" Round Air Filter |
| 2.00 | 2028-321011 | Blue Brute 2" Pillow Block |
| 8.00 | 2035-02008 | 45mm Triangular Shaker Roller |
| 1.00 | 2037-00611 | 12" x 99"ID Checkout Belt |
| 1.00 | B94.05387 | GL860 Encoder |
| 2.00 | BF08 | 1/2" NPT Breather |
| 2.00 | BF12 | 3/4" NPT Breather |
| 2.00 | FF6500-08-06 | 90 ORFS Fitting |
| 2.00 | FF6504-08-08 | Flat Face O-Ring - JIC |
| 4.00 | FT-125 | 1 1/4" Hose Barb |
| 1.00 | FT-150 | 1 1/2" Hose Barb |
| 1.00 | FT-200 | 2" Hose Barb |
| 1.00 | FT-250 | 2 1/2" Hose Barb |
| 1.00 | GCP-04 | Test Point Fitting |
| 4.00 | OMC-1620-90 | 1" oring x 1 1/4" Suction fitt |
| 1.00 | OMC-2024-90 | 1 1/4 ORing-1 1/2 Hose Barb |
| 1.00 | OMC-2432-90 | 1 1/2" Oring x 2" Suction |
| 5.00 | ORF-32-90 | 2" Suction w/ Flange |
| 1.00 | ORF-40-90 | 2 1/2" Suction x 2 1/2" Flange |
| 2.00 | ORF-4048 | 2.5"Hose to 3" Flange Straight |
| 2.00 | S45-4 | 1/2" Female Pioneer Quick Coup |
| 6.00 | S71-4P | 1/2" Male Pioneer Quick Couple |

| Qty | A/E # | Description |
|-------|------------|---------------------------------|
| 40.00 | 088.01137 | Segment Roll LH Increase DM162 |
| 4.00 | 088.01138 | Segment Roll End RH Increase |
| 4.00 | 088.01139 | Segment Roll End LH Increase |
| 40.00 | 088.01140 | Segment Roll RH Increase DM162 |
| 1.00 | 2001-0165 | Pressure Switch (Cross) |
| 15.00 | 2001-0166 | Hirschmann Seal/Gasket |
| 15.00 | 2001-0169 | Hirschmann Conn. W/Light 2CKT |
| 1.00 | 2001-0178 | Fuel Level Sending Unit |
| 1.00 | 2001-0219 | IQAN Cable for TOC8 |
| 1.00 | 2001-0246 | Ultrasonic Analog Snsr W/Cable |
| 1.00 | 2001-0269 | 10Amp Hi Pressure Brake Switch |
| 1.00 | 2001-0275 | Oil Tank Level Switch |
| 1.00 | 2001-0307 | Zone Defense Multiplexer, 4-Ch |
| 1.00 | 2001-0308 | I/R Color Camera |
| 1.00 | 2001-0505 | Monitor For 2009 Lvlng System |
| 1.00 | 2001-0506 | Slave Module For 2009 Lvlng Sys |
| 1.00 | 2001-0507 | MC2 Comm Cable |
| 1.00 | 2001-0508 | ADD/TER Tag "OT" Cable |
| 1.00 | 2001-0592 | C1 Cable 2.5 Meter IQAN-MD3 |
| 1.00 | 2001-0593 | C2 Cable 2.5 Meters IQAN-MD3 |
| 7.00 | 2001-0807 | Kar-Tech Elctrnc Pump Cntrlr |
| 1.00 | 2001-0808 | Temperature Switch |
| 16.00 | 2001-0883 | OUTDOOR E-STOP, RED PUSHBUTTON |
| 1.00 | 2001-0892 | HIGH CRRNT PWR BND EXTRCTN TL |
| 4.00 | 2003-01178 | 1/2x32x50mm 2x60 73+ HT |
| 2.00 | 2003-01179 | 7/16x65x50mm 3x60 183+ |
| 2.00 | 2003-01180 | 7/16x65x50mm 3x60 STSRT 52+ |
| 2.00 | 2003-01181 | 7/16x68x50mm 3x60 STSRT 23LPR |
| 2.00 | 2003-01182 | 5/8x65x150mm 2x60 STSRT 65LPR |
| 1.00 | 2003-01183 | 7/16x42x50mm 2x60 210+ |
| 1.00 | 2003-01185 | 7/16x65x50mm 3x60 280+ |
| 1.00 | 2003-01186 | 7/16x65x50mm 3x60 STSRT 104+ |
| 1.00 | 2003-01187 | 7/16x42x50mm 2x60 220+ |
| 1.00 | 2003-01188 | 7/16x42x50mm 2x60 STSRT 177+ |

| Qty | AFE # | Description |
|------------|---------------|---------------------------------|
| 1.00 | 2003-01189 | 7/16x14x28mm 2x60 STPL 457+ |
| 2.00 | 2009-02021 | 42" Bin Belt Drive Roller |
| 1.00 | 2009-02022 | 42" Bin Belt Idler Roller |
| 1.00 | 2009-02023 | 42" Bin Belt Return Roller |
| 1.00 | 2009-03023 | Rubber Cleated Bin Belt |
| 1.00 | 2010-00008 | 2520 LH Circuit Pump (17/8) |
| 2.00 | 2010-00092 | Tndm 3.0 Elec Pump No Cntrlr |
| 1.00 | 2010-00110 | 1.86 Cu In Dual Pump |
| 1.00 | 2010-00161 | Elec AH Pump W/O Controller |
| 1.00 | 2010-00214 | TANDEM 1.89 CU IN / 0.98 CU IN |
| 1.00 | 2011-00003 | 17.9 Cu. In. "S" Series Motor |
| 14.00 | 2011-00011 | Char-Lynn Motor (104-1067) |
| 5.00 | 2011-00017 | CharLynn 6000 Motor 11.9 Cu.In |
| 1.00 | 2011-00018 | 15 Cu 17T Eaton Motor (112-105) |
| 1.00 | 2011-01001 | Splined Airhead Motor |
| 1.00 | 2011-05001 | Parker motor - SAE "B" |
| 1.00 | 2012-20061801 | CHIEF 2"x6"Cylinder |
| 2.00 | 2012-20081821 | CHIEF 2"x8"Cyl W/Ext |
| 3.00 | 2012-20101801 | CHIEF 2"x10"Cylinder |
| 5.00 | 2012-20121801 | CHIEF 2"x12"Cylinder |
| 1.00 | 2012-30062001 | CHIEF 3"x6"Cylinder |
| 2.00 | 2012-30102001 | CHIEF 3"x10"Cylinder |
| 1.00 | 2012-30142401 | CHIEF 3"x14"Cylinder |
| 1.00 | 2012-30242401 | CHIEF 3"x24"Cylinder |
| 3.00 | 2012-30302401 | CHIEF 3"x30"Cylinder |
| 2.00 | 2012-30362401 | CHIEF 3"x36"Cylinder |
| 1.00 | 2013-0274 | 1" - 15T Bearing Block |
| 1.00 | 2015-018 | Intank Strainer 4"NPT |
| 4.00 | 2015-019 | 3" Flex Wrap Magnet |
| 2.00 | 2015-020 | 4" Flex Wrap Magnet |
| 1.00 | 2015-022 | Inline Filter |
| 3.00 | 2015-024 | 1 1/2" Single Filter Head |
| 3.00 | 2015-031 | Low Pressure Return Filter |
| 2.00 | 2015-032 | Low Pressure Return Filter |

Parts List

LEONARD AG

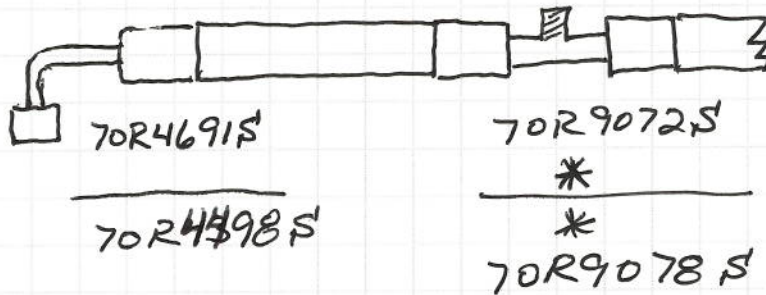
13061 2013 Pull Type Harvester

| Qty | Part # | Description |
|-----|------------|--|
| 4 | 2003-01177 | 5/8x32x32mm 2x75 DNPL HT 79+ Lower Primary |
| 4 | 2003-01178 | 1/2x32x50mm 2x60 8STPL-1UPPL 73+ HT Upper Primary |
| 2 | 2003-01179 | 7/16x65x50mm 3x60 8STSRT-1UPSRT 183+ 1st Secondary |
| 2 | 2003-01180 | 7/16x65x50mm 3x60 STSRT 52+ 2nd Secondary |
| 2 | 2003-01181 | 7/16x68x50mm 3x60 STSRT 23LPR Skived 3rd Secondary |
| 2 | 2003-01182 | 5/8x65x150mm 2x60 STSRT 65LPR W/Center Strap HT Deviner |
| 1 | 2003-01183 | 7/16x42x50mm 2x60 ST"C"Flex No Ears 210+ Rear Cross |
| 1 | 2003-01184 | 7/16x65x50mm 3x60 STSRT 214+ Lower Side Conv. |
| 1 | 2003-01185 | 7/16x65x50mm 3x60 1STSRT-1UPSRT-1STSRT-8DNSRT 280+ AH Bypass Conv. |
| 1 | 2003-01186 | 7/16x65x50mm 3x60 STSRT 104+ AH Discharge |
| 1 | 2003-01187 | 7/16x42x50mm 2x60 5ST"C"FlexNeEars-1UP"C"FlexNeEars 220+ Bin Fill |
| 1 | 2003-01188 | 7/16x42x50mm 2x60 STSRT 177+ Bulkloader |
| 1 | 2003-01189 | 7/16x14x28mm 2x60 STPL 457+ Stone Conv. |
| 3 | 2015-001 | In Tank Filters |
| 1 | 2015-005 | HP30-10 |
| 4 | 2015-010 | 9VZ10 |
| 3 | 2015-014 | LE-10 |
| 4 | 2011-06001 | MS-18+20 |
| 4 | 013-30051 | Digger Blades Point in Center Ext. |
| 3 | 013-30027 | Center Points Ext. |
| 1 | 013-30008 | Center Point cut in half |
| 4 | 013-40013 | Digger Blade Brackets |
| 2 | 012-40004 | Replacable Digger Nose |

THERMO KING

| | | | |
|----------------|----------------------|----------|----------|
| OVERALL LENGTH | FITTING | #12 HOSE | FITTING |
| 32' 6" * | 70R4691S 70R9072S | | 70R4701S |

- * INSERT SERVICE PORT (70R9072S) 12" FROM (70R4691S MENTIONED ABOVE)
- * POSITION SERVICE PORT IN THE OPPOSITE DIRECTION OF (70R4691S MENTIONED ABOVE)



| | | | |
|----------|----------------------|---------|---------|
| 33' 6" * | 70R4498S 70R9078S | #8 HOSE | 70R4408 |
|----------|----------------------|---------|---------|

- * PLACE SERVICE PORT (70R9078S) 12" FROM (70R4498S MENTIONED ABOVE)
- * POSITION SERVICE PORT IN THE OPPOSITE DIRECTION OF (70R4498S MENTIONED ABOVE)

"SAME LAYOUT AS ABOVE"